

Product model:

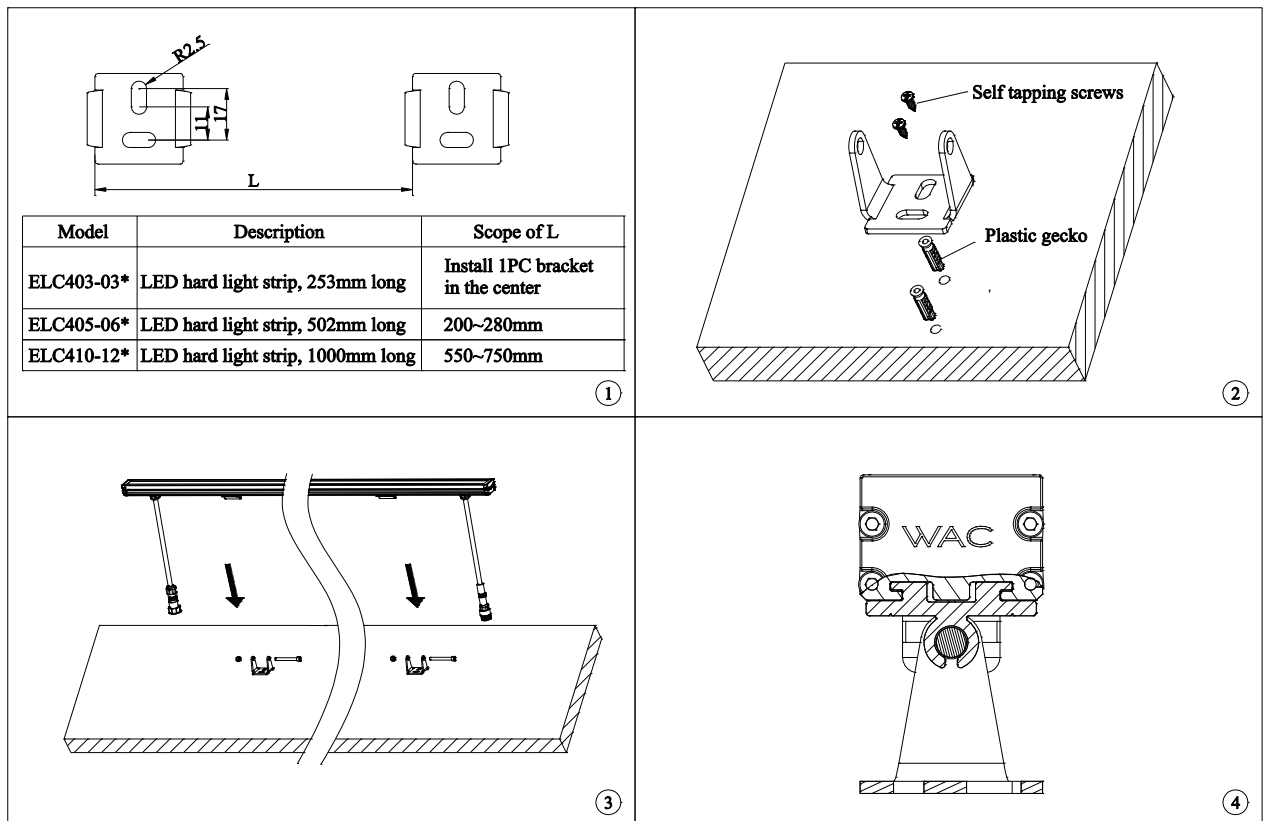
This installation manual applies to the ELC403-03 series, ELC405-06MT series, and ELC410-12 series of LED outdoor hard strip lights.

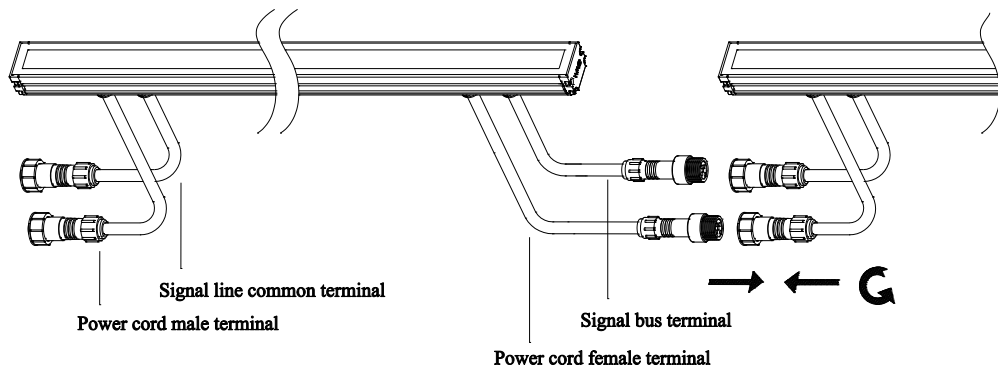
Installation Precautions:

1. Please read through the Instructions before installation.
2. The product should be installed by a professional electrician.
3. Make sure the power supply is cut off before installation and maintenance, to avoid the risk of electric shock.
4. Before installing the lighting fixtures, please confirm that the installation surface is firm and reliable to prevent the fixtures from falling.
5. Please keep this Instruction properly for future reference.

Installation method and steps:

1. The installation method of this line light is to first fix the U-shaped stainless steel bracket; A light strip requires 2 brackets; The fixing holes of the bracket are shown in Figure 1; Note: Self tapping screws and plastic geckos are to be provided by the construction party;
2. The light strip is installed on the U-shaped bracket by a mounting bracket installed on the lamp body, which is fixed with long bolts and nuts, as shown in Figure 3; After installation, as shown in Figure 4, the locking nut can be positioned and the angle can be adjusted by loosening the nut;
3. Install adjacent light strips and connect them first before inserting them into the U-shaped bracket; As shown in Figure 5, the lighting fixture has signal input and output directions. Please follow the instructions on the label on the wire for wiring.





Power cord male and female terminal labels

Brown: DC 24V+	Brown: DC 24V+
Blue: DC 24V-	Blue: DC 24V-

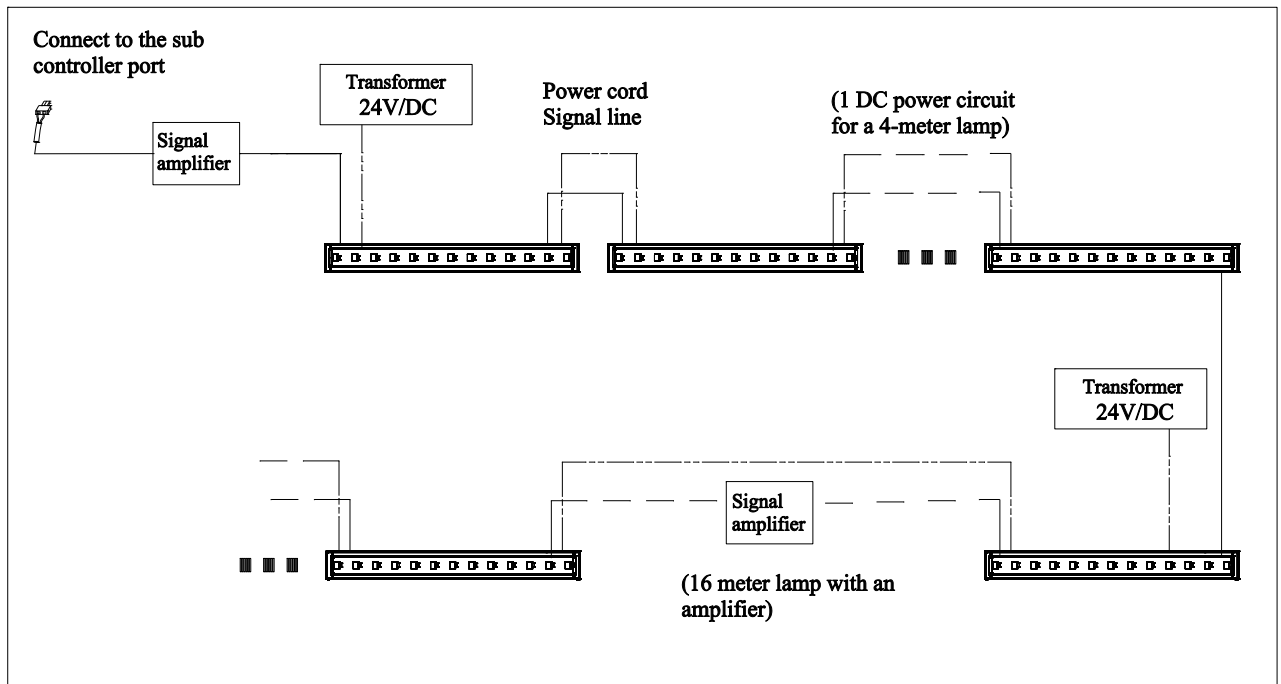
Signal line common end labeling

Input terminal:	Input terminal:
Blue : D+	Blue : D+
Chartreuse: D-	Chartreuse: D-
Brown: Pin	Brown: Pin
Black: Gnd	Black: Gnd

Signal bus terminal labeling

Output terminal:	Output terminal:
Blue : D+	Blue : D+
Chartreuse: D-	Chartreuse: D-
Brown: Pout	Brown: Pout
Black: Gnd	Black: Gnd

4. The wiring of the lighting fixtures is shown in the following schematic diagram:



Note:

- * The connection of power and signal lines should be made using the waterproof connector wire provided by WAC.
- * Suggest a transformer power circuit for 4-6 meter lamps
- * Before connecting the lighting fixtures to the sub control port, a signal amplifier was added; Then, add a signal amplifier every 16 meters of lighting equipment.
- * The usage of the main controller and sub controller can be found in the manual of the main controller and sub controller.